

metalfire

| architectural fireplaces |

model URBAN MF 1900-40 G 2S L

Dimensions (mm)

- combustion chamber WxDxH 1900 x 370 x 400
- length of burner 1600
- external WxDxH 2110 x 425 x 1675
- fresh air 2 x Ø150

Technical Data (city gas)

for other types of gas see 'gasburner specifications'

(options)

- appliance type B11AS/B14AS
- load 21,93 kW
- type of gas/pressure G20/20,25/25mBar
- gascat. I2E+, I2H, I2E, I2L
- weight +/-200kg

Protection

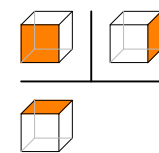
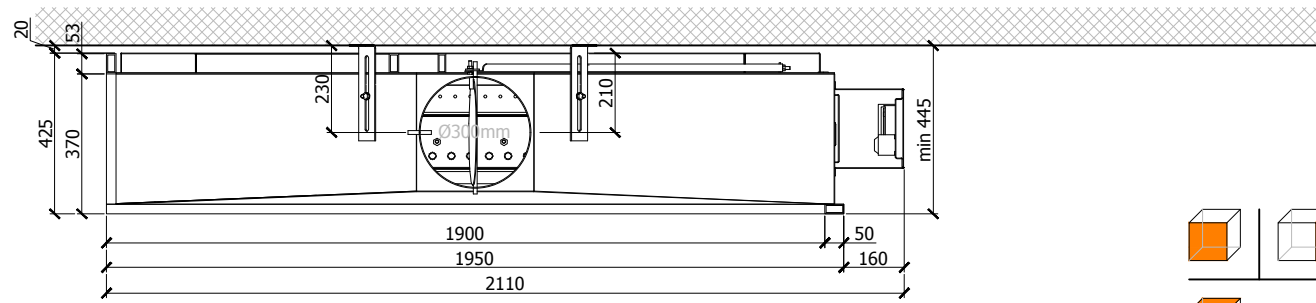
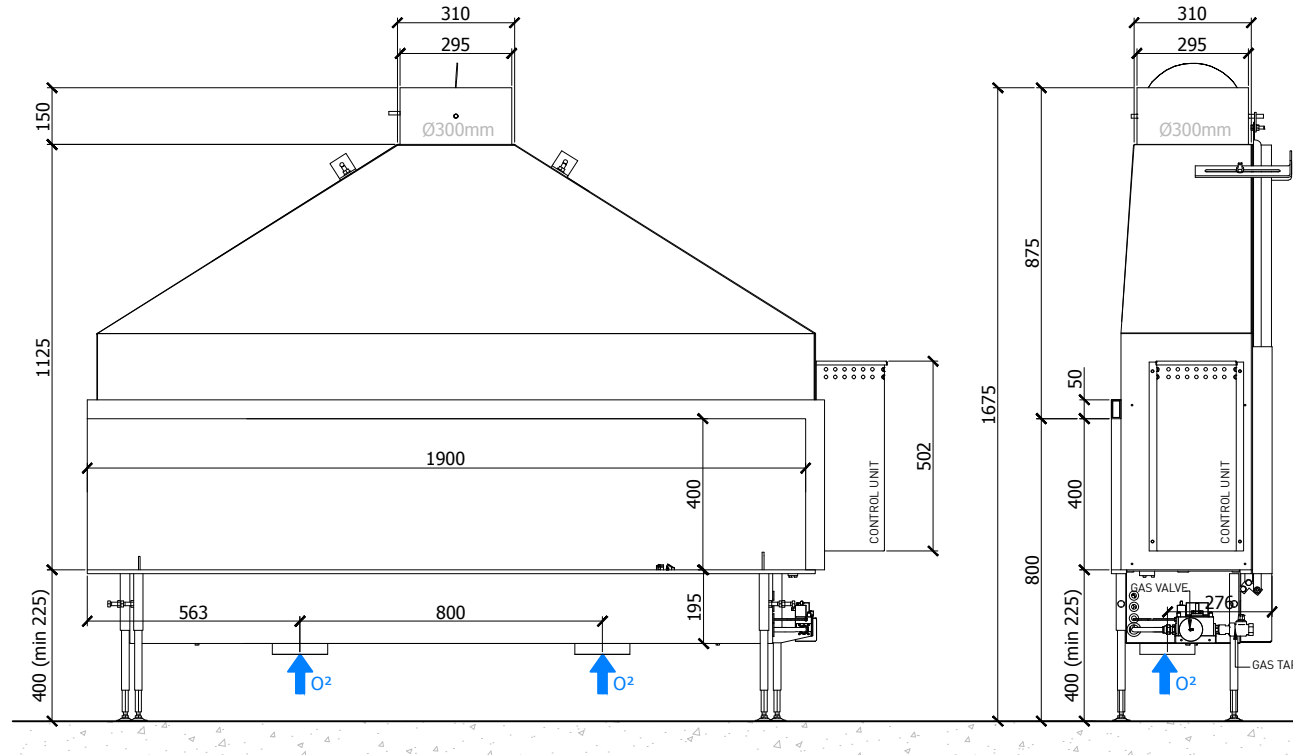
- 'oxy-pilot'-protection
- ionization-protected pilot-flame
- secured flue pipe discharge
- secured oxygen supply

Specifications

- control unit on the right
- finishing: heat-resistant black paint
- lockable valve for fresh air and smoke gases
- grey pebbles
- remote control with electronic ignition

Options

- chimney fan RSVG 250
- back and side combustion chamber finishing: ribbed cast-iron
- ceramic woodlogs
- convection jacket (see options)



scale 1:20

www.metalfire.eu

EN 509 CE

General dimensional tolerances up to 6mm
Metalfire preserves the right to modify specifications without previous notice